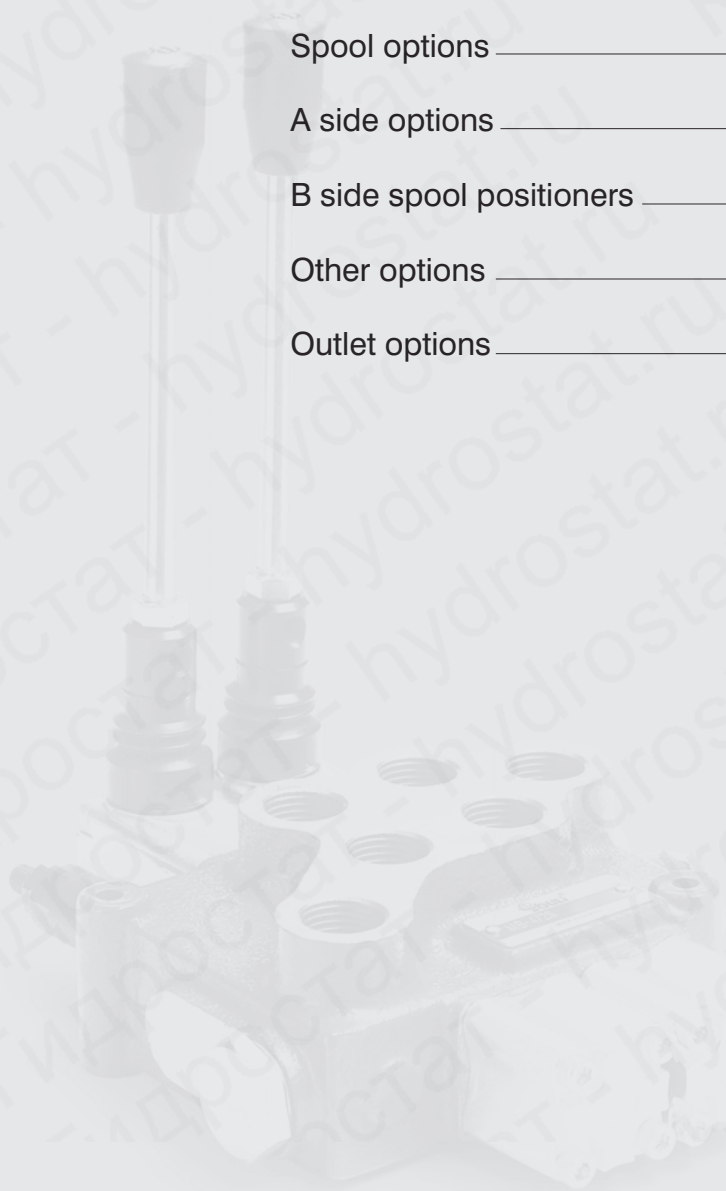

MB-4 Chapters

Monoblock Directional Control Valves

Working condition	P.5
Ordering code	P.6
Dimensions	P.9
Performance data	P.10
Inlet relief options	P.11
Spool options	P.12
A side options	P.20
B side spool positioners	P.23
Other options	P.31
Outlet options	P.34





For Mobile And Industrial Hydraulic Applications.

MB-2

ONLY ONE SECTION AVAILABLE

Nominal flow rate	45 l/min	12 US gpm
Operating pressure (maximum)	250 bar	3600 psi
Back pressure (maximum) on outlet port T	25 bar	360 psi

MB-3

AVAILABLE SECTIONS FROM 1 TO 6

Nominal flow rate	45 l/min	12 US gpm
Operating pressure (maximum)	parallel or tandem circuit series circuit	315 bar 4600 psi 210 bar 3050 psi
Back pressure (maximum) on outlet port T	25 bar	360 psi

MB-4

AVAILABLE SECTIONS FROM 1 TO 6

Nominal flow rate	60 l/min	16 US gpm
Operating pressure (maximum)	parallel or tandem circuit series circuit	315 bar 4600 psi 210 bar 3050 psi
Back pressure (maximum) on outlet port T	25 bar	360 psi

MB-5

AVAILABLE SECTIONS FROM 1 TO 6

Nominal flow rate	80 l/min	21 US gpm
Operating pressure (maximum)	parallel or tandem circuit series circuit	315 bar 4600 psi 250 bar 3600 psi
Back pressure (maximum) on outlet port T	25 bar	360 psi

MONOBLOCK DIRECTIONAL CONTROL VALVES

MB-2 / MB-3 / MB-4 / MB-5 / MSB-5

SECTIONAL DIRECTIONAL CONTROL VALVES

SN-3 / SN-4 / SN-6

MSB-5

AVAILABLE SECTIONS FROM 1 TO 6

With Independent load check valve in each section, and optional port relief.

Nominal flow rate	80 l/min	21 US gpm
Operating pressure (maximum)	parallel or tandem circuit series circuit	315 bar 4600 psi 250 bar 3600 psi
Back pressure (maximum) on outlet port T	25 bar	360 psi

SN-3

AVAILABLE SECTIONS FROM 1 TO 12

Nominal flow rate	50 l/min	13 US gpm
Operating pressure (maximum)	parallel or tandem circuit series circuit	315 bar 4600 psi 210 bar 3050 psi
Back pressure (maximum) on outlet port T	25 bar	360 psi

SN-4

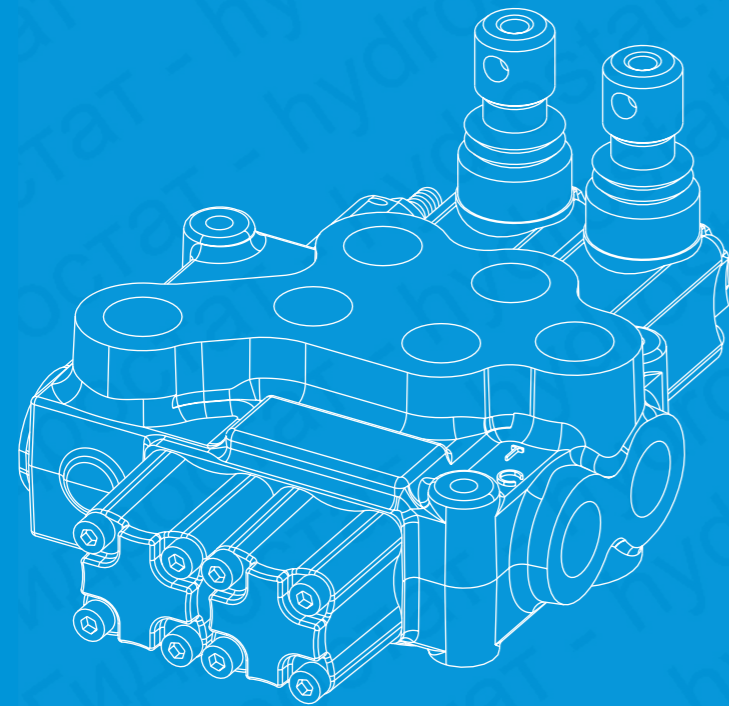
AVAILABLE SECTIONS FROM 1 TO 12

Nominal flow rate	80 l/min	21 US gpm
Operating pressure (maximum)	parallel or tandem circuit series circuit	315 bar 4600 psi 210 bar 3050 psi
Back pressure (maximum) on outlet port T	25 bar	360 psi

SN-6

AVAILABLE SECTIONS FROM 1 TO 12

Nominal flow rate	140 l/min	37 US gpm
Operating pressure (maximum)	parallel or tandem circuit series circuit	315 bar 4600 psi 210 bar 3050 psi
Back pressure (maximum) on outlet port T	25 bar	360 psi



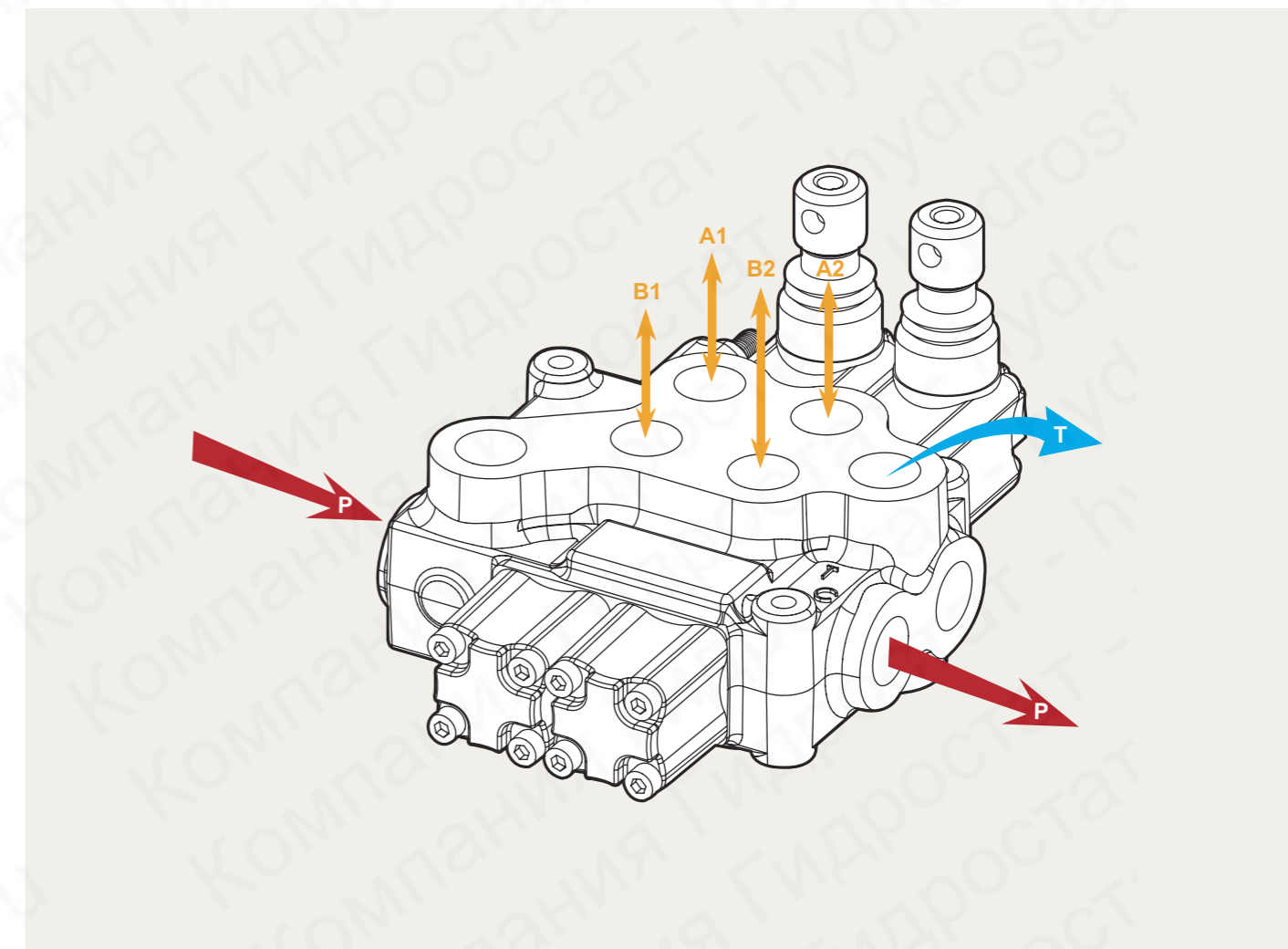
*Innovative Designs
Professional Quality
Customer Satisfaction !*

AVAILABLE SECTIONS FROM
1 TO 6

MB-4 Monoblock Directional Control Valves



MB-4 Monoblock Directional Control Valves



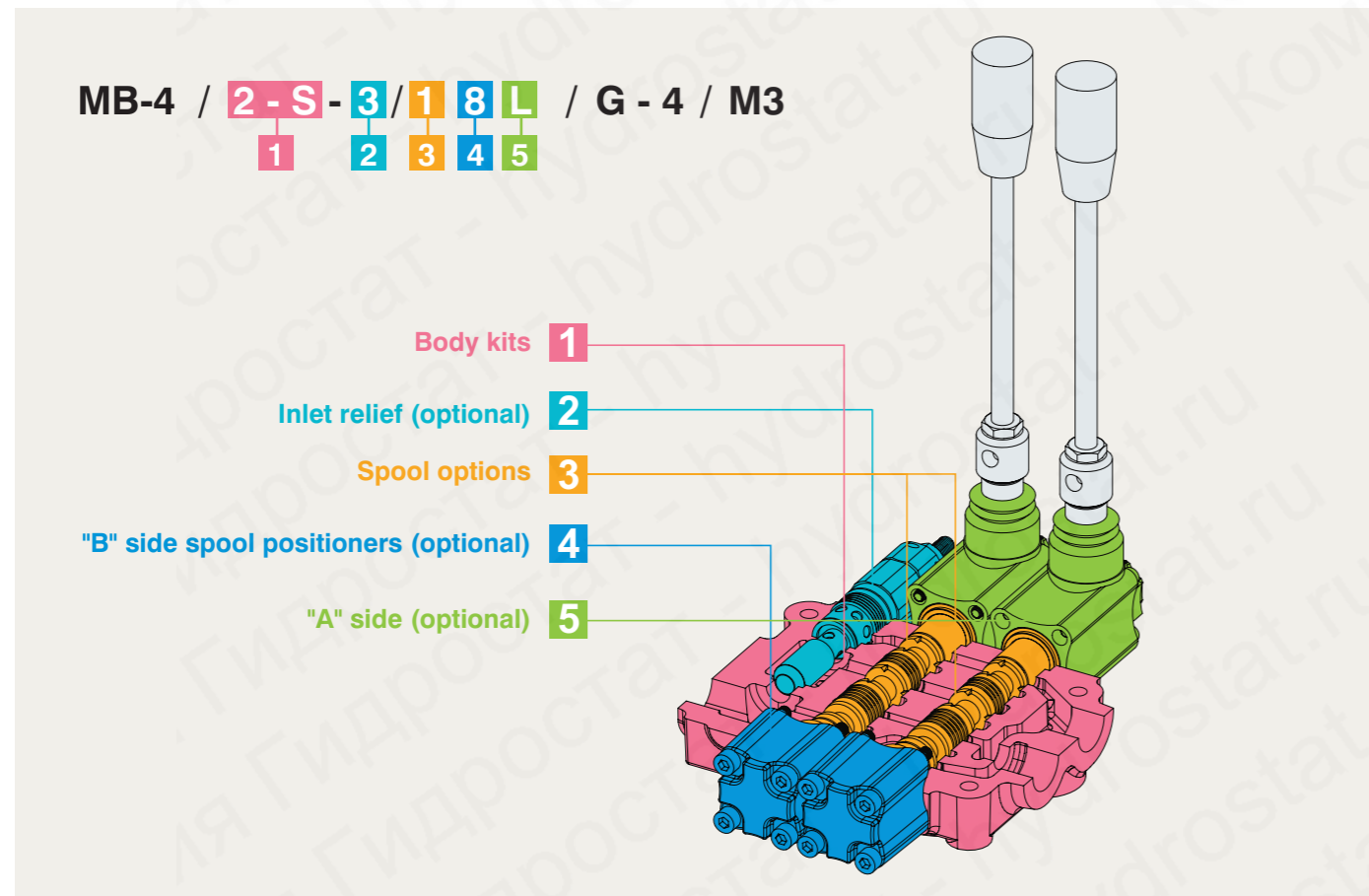
MB-4 Specifications

Nominal flow rate		60 l/min	16 US gpm
Operating pressure (maximum)	parallel or tandem circuit	315 bar	4600 psi
	series circuit	210 bar	3050 psi
Back pressure (maximum)	on outlet port T	25 bar	360 psi
Fluid temperature range	with NBR(BUNA-N) seals	from - 20° to 80°C	from - 4° to 176° F
	with FPM(VITON) seal	from - 20° to 100°C	from - 4° to 212° F
Viscosity	operating range	from 15 to 75 mm ² /s	from 15 to 75 cst
	min	12 mm ² /s	12 cst
	max.	400 mm ² /s	400 cst
Ambient temperature range		from - 40° to 60°C	from - 40° to 140° F

• All specifications, dimensions and design characteristics shown in this catalogue are subject to change without notice.

MB-4

Monoblock Directional Control Valves



1: Body kits		WITHOUT SERVICE PORT VALVES PREARRANGEMENT
TYPE	DESCRIPTION	
1 - S	1 section	
2 - S	2 sections	
3 - S	3 sections	
4 - S	4 sections	
5 - S	5 sections	
6 - S	6 sections	

2: Inlet Relief (optional)			
TYPE	CODE	DESCRIPTION	PAGE
MG-2	YLMB42002	Range 40 to 80 bar / 580 to 1150 psi, standard setting 80 bar / 1150 psi	P. 11
MG-3	YLMB42003	Range 63 to 200 bar / 900 to 2900 psi, standard setting 120 bar / 1750 psi	P. 11
MG-4	YLMB42004	Range 160 to 315 bar / 2300 to 4600 psi, standard setting 220 bar / 3200 psi	P. 11
SV	YLMB42100	Relief valve blanking plug	P. 11

MB-4

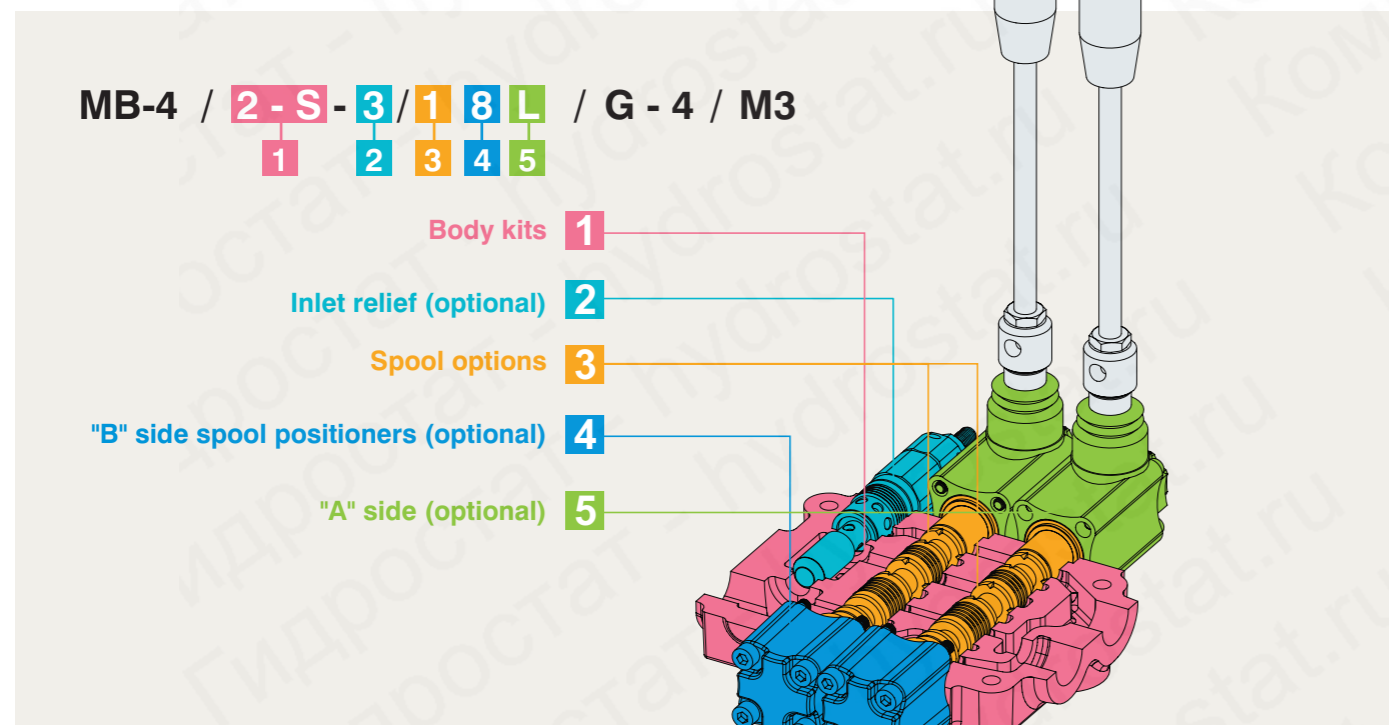
Monoblock Directional Control Valves

3: Spool options			
TYPE	CODE	DESCRIPTION	PAGE
1	YLMB43001	Double acting, 3 positions, with A, B closed in neutral position	P. 12
2	YLMB43002	Double acting, 3 positions, with A, B open to Tank in neutral position	P. 12
3	YLMB43003	Single acting on A closed in neutral position, 3 positions, B plugged	P. 13
4	YLMB43004	Single acting on B closed in neutral position, 3 positions, A plugged	P. 13
5	YLMB43005	Double acting, 3 positions, with B open to Tank in neutral position	P. 14
6	YLMB43006	Double acting, 3 positions, with A open to Tank in neutral position	P. 14
7	YLMB43007	Single acting on A open to Tank in neutral position, 3 positions, B plugged	P. 15
8	YLMB43008	Single acting on B open to Tank in neutral position, 3 positions, A plugged	P. 15
9	YLMB43009	Double acting, 3 positions, with P, T, A, B closed in neutral position (Closed center)	P. 16
10	YLMB43010	Double acting, 3 positions, with A, B open to Tank and P, T closed in neutral position (Closed center)	P. 16
5DY	YLMB43052	Double acting, 4 position, floating circuit in 4th position with A, B open to Tank by pulling the lever	P. 17
5PYX	YLMB430511	Double acting, 4 positions, floating circuit in 4th position with A, B open to Tank by pushing the lever (with check valve)	P. 17
5PY	YLMB43051	Double acting, 4 positions, floating circuit in 4th position with A, B open to Tank by pushing the lever	P. 18
Z41	YLMB43041	Double acting, 4 positions, regenerative circuit in 4th position with P open to A, B by pulling the lever (Rest in pos. 1)	P. 18
Z42	YLMB43042	Double acting, 4 positions, regenerative circuit in 4th position with P open to A, B by pulling the lever (Rest in pos. 0)	P. 19

4: B Side Spool Positioners			
TYPE	CODE	DESCRIPTION	PAGE
6-1	YLMB44061	Detent in pos. 1-0-2, without spring centered	P. 23
6-2	YLMB44062	2 positions, detent in pos. 0-2, without spring centered	P. 23
6-3	YLMB44063	2 positions, detent in pos. 1-0, without spring centered	P. 23
8D2	YLMB44200	With spring return to neutral position and pin with M8 male thread for dual control	P. 23
8EP3	YLMB44300	ON/OFF Electro-Pneumatic actuator	P. 24
8P	YLMB44080	ON/OFF Pneumatic actuator	P. 24
8MG1 (NO)	YLMB44801	Microswitch kit operated in pos. 1 (Normally Open)	P. 27
8MG2 (NO)	YLMB44802	Microswitch kit operated in pos. 2 (Normally Open)	P. 27
8MG3 (NO)	YLMB44803	Microswitch kit operated in pos. 1&2 (Normally Open)	P. 27
MG (NO)	YLMB44804	Microswitch with NO terminal	P. 27
8MG1 (NC)	YLMB448011	Microswitch kit operated in pos. 1 (Normally Closed)	P. 27
8MG2 (NC)	YLMB448021	Microswitch kit operated in pos. 2 (Normally Closed)	P. 27
8MG3 (NC)	YLMB448031	Microswitch kit operated in pos. 1&2 (Normally Closed)	P. 27
MG (NC)	YLMB448041	Microswitch with NC terminal	P. 27
8	YLMB44008	With spring return to neutral position	P. 28
8-1	YLMB44081	2 positions, with spring centered from pos. 1	P. 28
8-2	YLMB44082	2 positions, with spring centered from pos. 2	P. 28
9-1	YLMB44091	Detent in pos. 1, 2 with spring centered	P. 28
9-2	YLMB44092	Detent in pos. 2 with spring centered	P. 28
9-3	YLMB44093	Detent in pos. 1 with spring centered	P. 28

MB-4

Monoblock Directional Control Valves



MB-4 / 2-S-3 / 1 8 L / G-4 / M3

1 2 3 4 5

Body kits 1

Inlet relief (optional) 2

Spool options 3

"B" side spool positioners (optional) 4

"A" side (optional) 5

4: B Side Spool Positioners

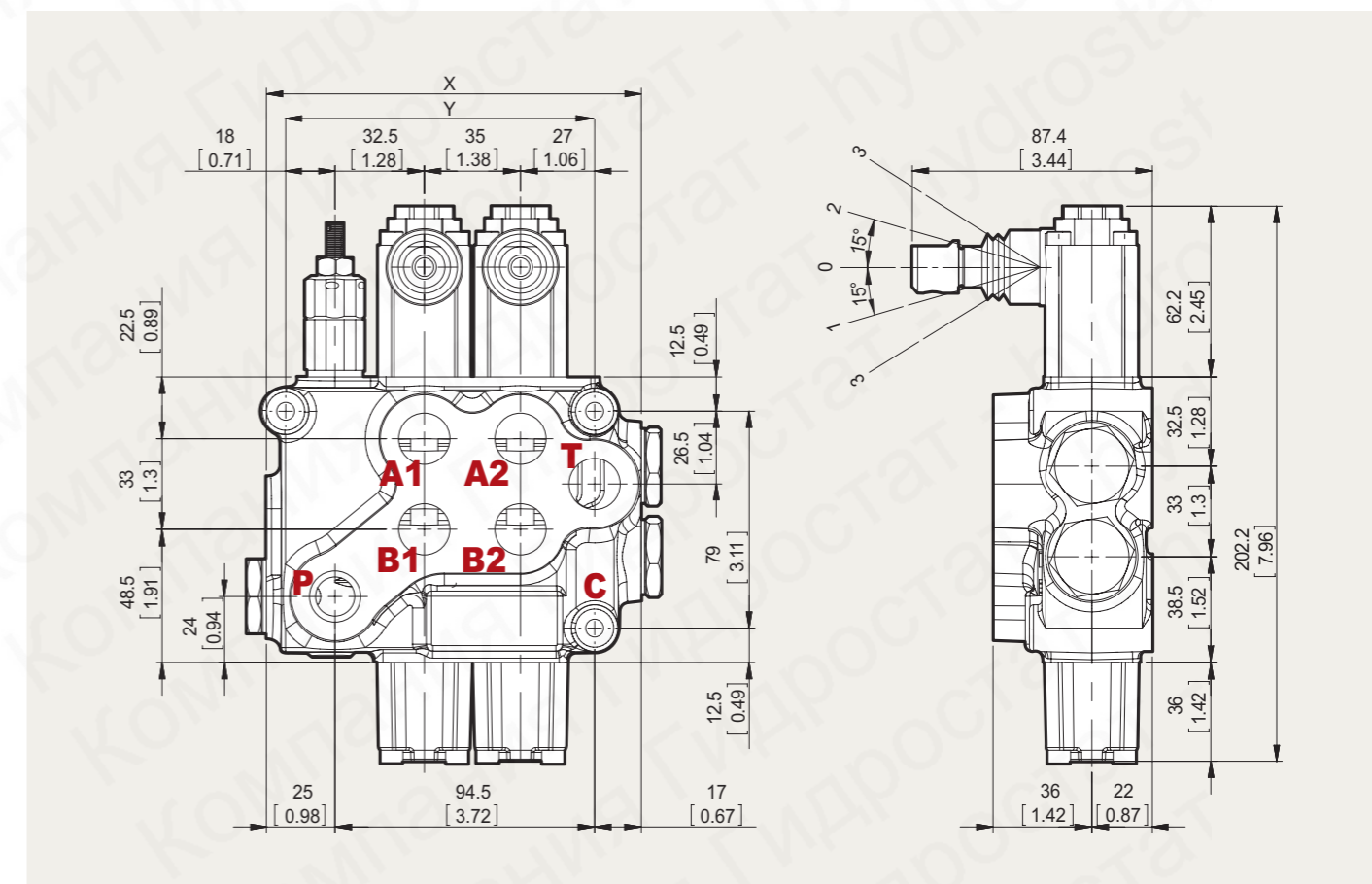
TYPE	CODE	DESCRIPTION	PAGE
8ED3+RV-KE1R3	YLMB44201	1S: ON/OFF Electro-Hydraulic control kit with pilot and drain line+backpressure valve (12/24 VDC)	P. 25
8ED3+RV-KE2R3	YLMB44202	2S: ON/OFF Electro-Hydraulic control kit with pilot and drain line+backpressure valve (12/24 VDC)	P. 25
8ED3+RV-KE3R3	YLMB44203	3S: ON/OFF Electro-Hydraulic control kit with pilot and drain line+backpressure valve (12/24 VDC)	P. 25
8ED3+RV-KE4R3	YLMB44204	4S: ON/OFF Electro-Hydraulic control kit with pilot and drain line+backpressure valve (12/24 VDC)	P. 25
8ED3+RV-KE5R3	YLMB44205	5S: ON/OFF Electro-Hydraulic control kit with pilot and drain line+backpressure valve (12/24 VDC)	P. 25
8ED3+RV-KE6R3	YLMB44206	6S: ON/OFF Electro-Hydraulic control kit with pilot and drain line+backpressure valve (12/24 VDC)	P. 25
8ER3+KE1S0	YLMB44401	1S: ON/OFF Electro-hydraulic control kit with collector kit for external pilot and drain	P. 26
8ER3+KE2S0	YLMB44402	2S: ON/OFF Electro-hydraulic control kit with collector kit for external pilot and drain	P. 26
8ER3+KE3S0	YLMB44403	3S: ON/OFF Electro-hydraulic control kit with collector kit for external pilot and drain	P. 26
8ER3+KE4S0	YLMB44404	4S: ON/OFF Electro-hydraulic control kit with collector kit for external pilot and drain	P. 26
8ER3+KE5S0	YLMB44405	5S: ON/OFF Electro-hydraulic control kit with collector kit for external pilot and drain	P. 26
8ER3+KE6S0	YLMB44406	6S: ON/OFF Electro-hydraulic control kit with collector kit for external pilot and drain	P. 26

5: A Side (optional)

TYPE	CODE	DESCRIPTION	PAGE
L	YLMB45000	Standard lever box	P. 20
SLP	YLMB45001	Without lever box, with dust-proof plate	P. 20
LCB	YLMB45002	Joystick lever for 2 section operation	P. 21
TQ	YLMB45003	Flexible cable connection	P. 22

MB-4 Dimensions

Monoblock Directional Control Valves



Standard threads

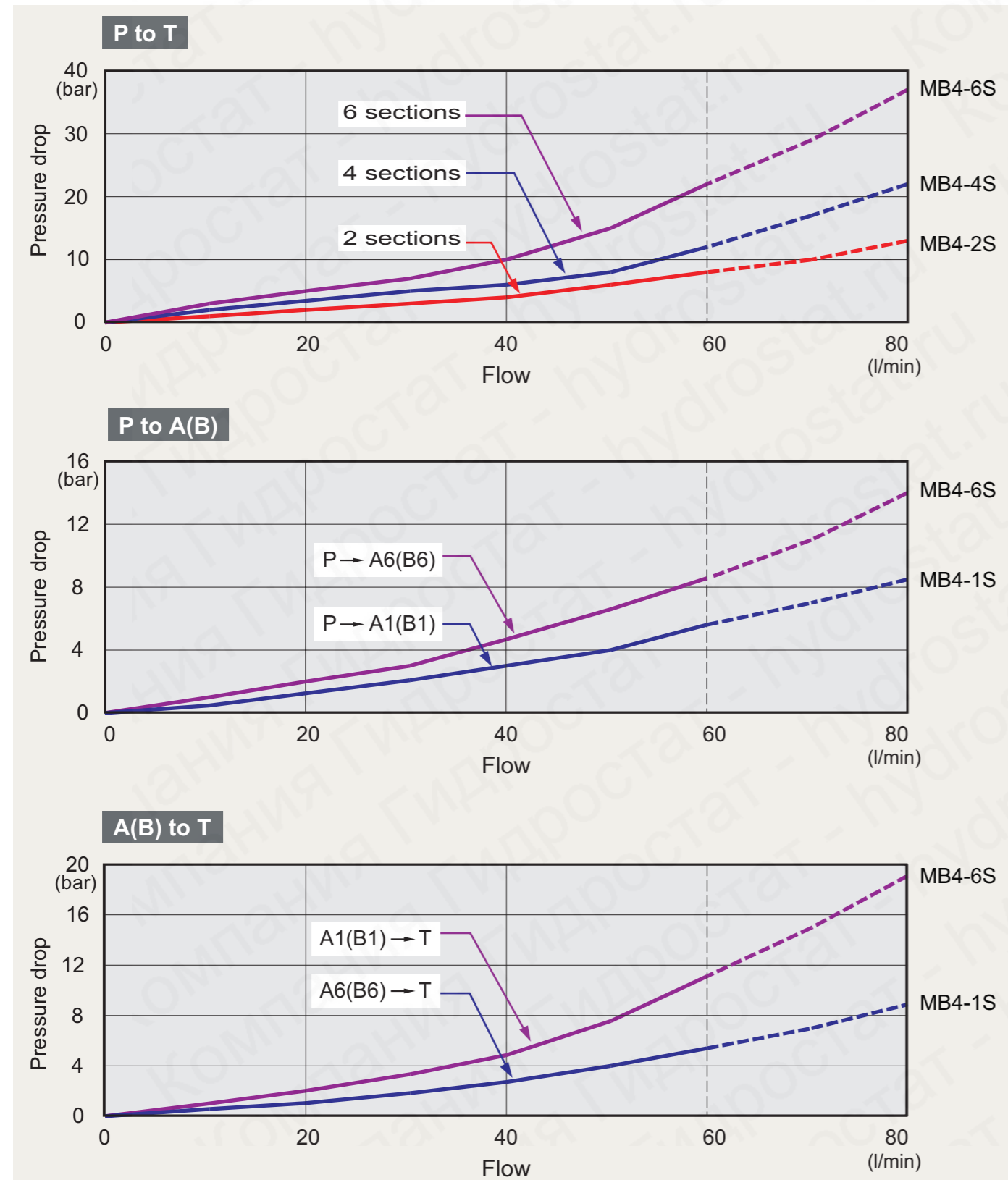
Ports	Inlet P	A and B	Outlet T and C
BSP	G1/2	G1/2	G1/2
UN-UNF	3/4-16 UNF-2B (SAE 8)	3/4-16 UNF-2B (SAE 8)	3/4-16 UNF-2B (SAE 8)
METRIC	M18x1.5	M18x1.5	M18x1.5

• G-1/2 : G4 G-3/8 : G3 G-3/4 : G6
• SAE 8 : E8 SAE 10 : E10 SAE 12 : E12 SAE 16 : E16

Standard dimensions

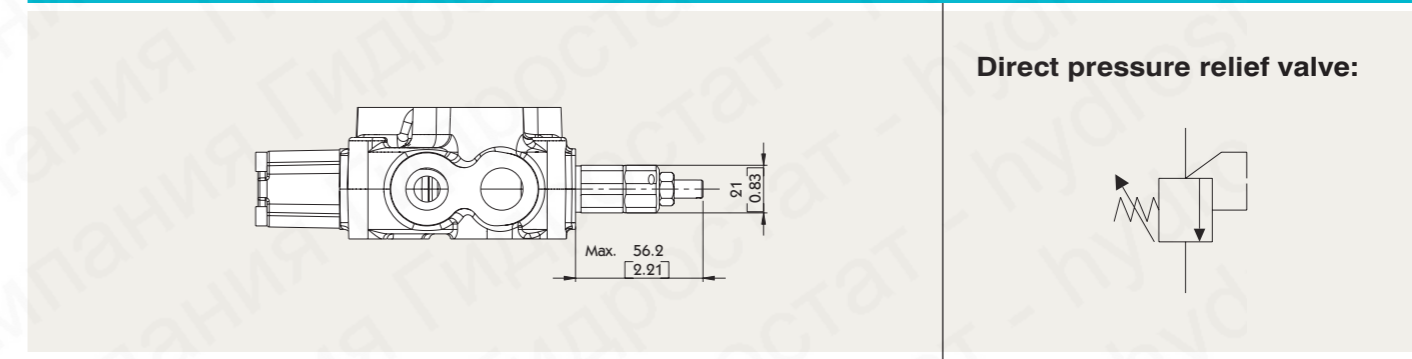
TYPE	X		Y	
	mm	in	mm	in
MB4 /1S	101.5	4	77.5	3.05
MB4 /2S	136.5	5.37	112.5	4.33
MB4 /3S	171.5	6.75	147.5	5.81
MB4 /4S	206.5	8.13	182.5	7.19
MB4 /5S	241.5	9.51	217.5	8.56
MB4 /6S	276.5	10.89	252.5	9.94

MB-4 Performance curve chart Monoblock Directional Control Valves

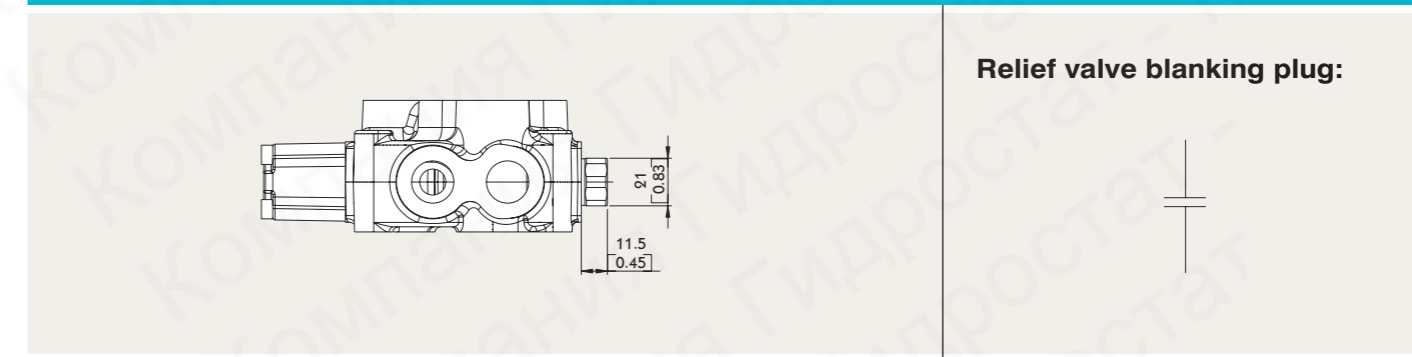


MB-4 Inlet Relief (Optional) Monoblock Directional Control Valves

Type MG



Type SV



MB-4 Spool Options

Monoblock Directional Control Valves

TYPE 1		
	<p>P → B</p> <p>A → T</p> <p>C closed</p>	
	<p>P & A & B & T close</p> <p>C open</p>	
	<p>P → A</p> <p>B → T</p> <p>C closed</p>	

TYPE 2		
	<p>P → B</p> <p>A → T</p> <p>C closed</p>	
	<p>A & B → T</p> <p>P closed</p> <p>C open</p>	
	<p>P → A</p> <p>B → T</p> <p>C closed</p>	

MB-4 Spool Options

Monoblock Directional Control Valves

TYPE 3		
	<p>A → T</p> <p>P closed</p> <p>C open</p>	
	<p>P & A & T close</p> <p>C open</p>	
	<p>P → A</p> <p>T & C closed</p>	

TYPE 4		
	<p>P → B</p> <p>T & C closed</p>	
	<p>P & B & T close</p> <p>C open</p>	
	<p>B → T</p> <p>P closed</p> <p>C open</p>	

MB-4 Spool Options

Monoblock Directional Control Valves

TYPE 5		
	<p>P → B</p> <p>A → T</p> <p>C closed</p>	
	<p>B → T</p> <p>P & A close</p> <p>C open</p>	
	<p>P → A</p> <p>B → T</p> <p>C closed</p>	

TYPE 6		
	<p>P → B</p> <p>A → T</p> <p>C closed</p>	
	<p>A → T</p> <p>P & B closed</p> <p>C open</p>	
	<p>P → A</p> <p>B → T</p> <p>C closed</p>	

MB-4 Spool Options

Monoblock Directional Control Valves

TYPE 7		
	<p>A → T</p> <p>C open</p>	<p>1 0 2</p> <p>A</p> <p>"B" port plugged</p>
	<p>A → T</p> <p>C open</p>	<p>1 0 2</p> <p>A</p> <p>"B" port plugged</p>
	<p>P → A</p> <p>C closed</p>	<p>1 0 2</p> <p>A</p> <p>"B" port plugged</p>

TYPE 8		
	<p>P → B</p> <p>C closed</p>	<p>1 0 2</p> <p>B</p> <p>"A" port plugged</p>
	<p>B → T</p> <p>C open</p>	<p>1 0 2</p> <p>B</p> <p>"A" port plugged</p>
	<p>B → T</p> <p>C open</p>	<p>1 0 2</p> <p>B</p> <p>"A" port plugged</p>

MB-4 Spool Options

Monoblock Directional Control Valves

TYPE 9		
	<p>P → B</p> <p>A → T</p> <p>C closed</p>	
	<p>P & A & B & T closed</p> <p>C closed</p>	
	<p>P → A</p> <p>B → T</p> <p>C closed</p>	

TYPE 10		
	<p>P → B</p> <p>A → T</p> <p>C closed</p>	
	<p>A & B → T</p> <p>P & C close</p>	
	<p>P → A</p> <p>B → T</p> <p>C closed</p>	

MB-4 Spool Options

Monoblock Directional Control Valves

TYPE 5DY			NOTE: WITH SPECIAL BODY AND SPECIAL POSITIONER
	<p>P → B</p> <p>A → T</p> <p>C closed</p>		1 0 2 3
	<p>P & T & A & B closed</p> <p>C open</p>		1 0 2 3
	<p>P → A</p> <p>B → T</p> <p>C closed</p>		1 0 2 3
	<p>A & B → T</p> <p>P closed</p> <p>C open</p>		1 0 2 3

TYPE 5PYX			NOTE: WITH SPECIAL BODY AND SPECIAL POSITIONER
	<p>A & B → T</p> <p>P closed</p> <p>C open</p>		3 1 0 2
	<p>P → B</p> <p>A → T</p> <p>C closed</p>		3 1 0 2
	<p>P & T & A & B closed</p> <p>C open</p>		3 1 0 2
	<p>P → A</p> <p>B → T</p> <p>C closed</p>		3 1 0 2

MB-4 Spool Options

Monoblock Directional Control Valves

TYPE 5PY		NOTE: WITH SPECIAL BODY AND SPECIAL POSITIONER	
	A & B → T P closed C open		
	P → B A → T C closed		
	P & T & A & B closed C open		
	P → A B → T C closed		

TYPE Z41		NOTE: WITH SPECIAL BODY AND SPECIAL POSITIONER	
	P → B A → T C closed		Rest in pos. 1
	P & A & B & T closed C open		
	P → A B → T C closed		
	P → A & B T & C closed		

MB-4 Spool Options

Monoblock Directional Control Valves

TYPE Z42		NOTE: WITH SPECIAL BODY AND SPECIAL POSITIONER	
	P → B A → T C closed		
	P & A & B & T closed C open		Rest in pos. 0
	P → A B → T C closed		
	P → A & B T & C closed		

MB-4 A Side Monoblock Directional Control Valves

Type L		
		Type L: STANDART LEVER KIT
Type R		
		Type R: STANDART LEVER KIT (ROTATED 180 DEGREE)

Type SL		
		Type SL: WITHOUT ANY COVER
Type SLP		
		Type SLP: WITH DUST-PROOF PLATE

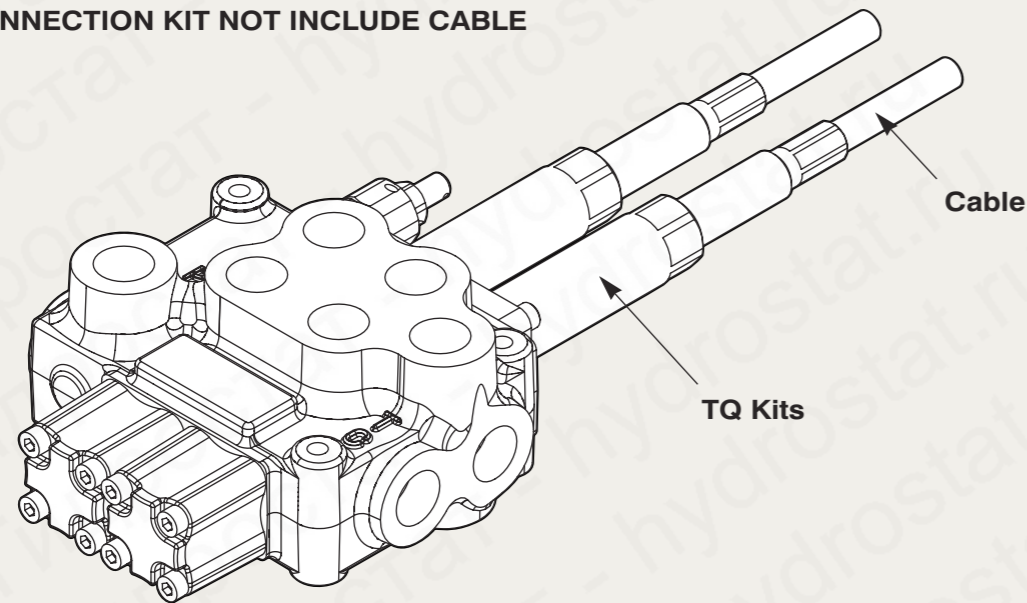
MB-4 A Side Monoblock Directional Control Valves

LCB: Joystick control

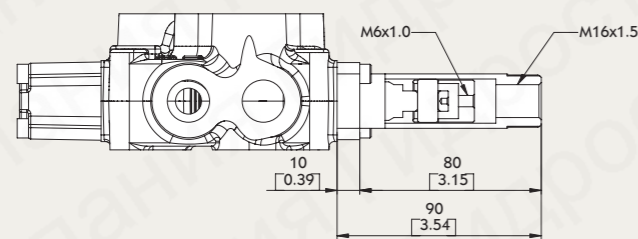
Type LCB	LCB1	LCB2
Type LCB	LCB3	LCB4

MB-4 A Side Monoblock Directional Control Valves

Note : CONNECTION KIT NOT INCLUDE CABLE



Type TQ

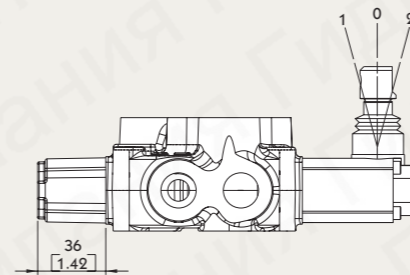


TQ Kit:



MB-4 B Side Monoblock Directional Control Valves

Type 6



6-1 Kit:

DETENT IN POS. 1-0-2, WITHOUT SPRING CENTERED



6-2 Kit:

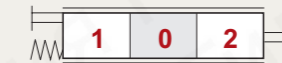
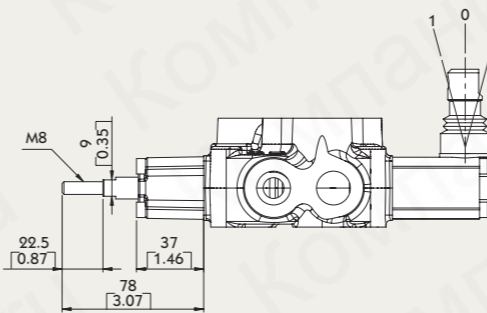
2 POSITIONS, DETENT IN POS. 0-2, WITHOUT SPRING CENTERED



6-3 Kit:

2 POSITIONS, DETENT IN POS. 1-0, WITHOUT SPRING CENTERED

Type 8D2



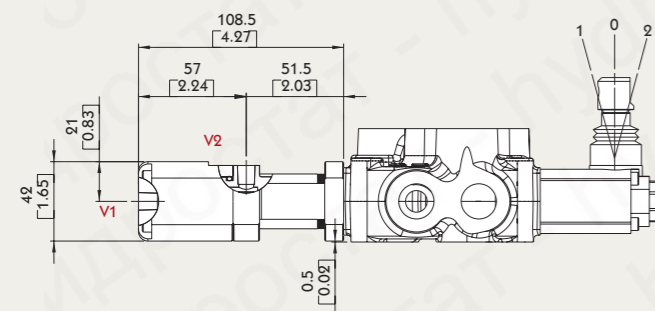
8D2 Kit:

WITH SPRING RETURN TO NEUTRAL POSITION AND PIN WITH M8 MALE THREAD FOR DUAL CONTROL

MB-4 B Side Monoblock Directional Control Valves

Type 8P

V1 & V2 : NPT 1/8 - 27



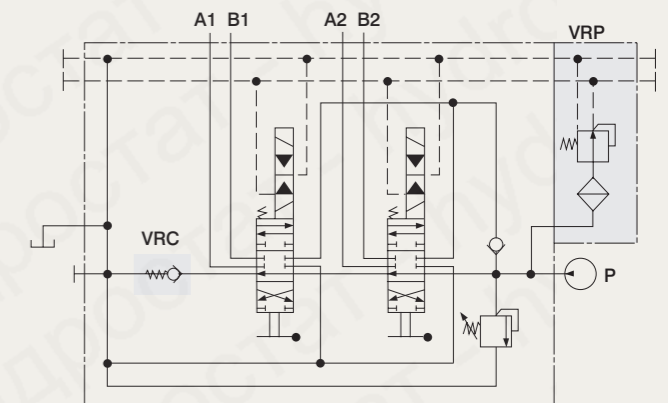
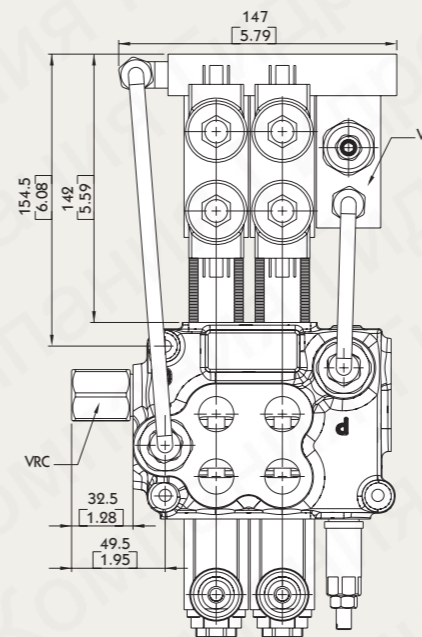
Operating feature :

PILOT PRESSURE (MIN.) 5.5 BAR / 80 PSI
PILOT PRESSURE (MAX.) 10 BAR / 145 PSI

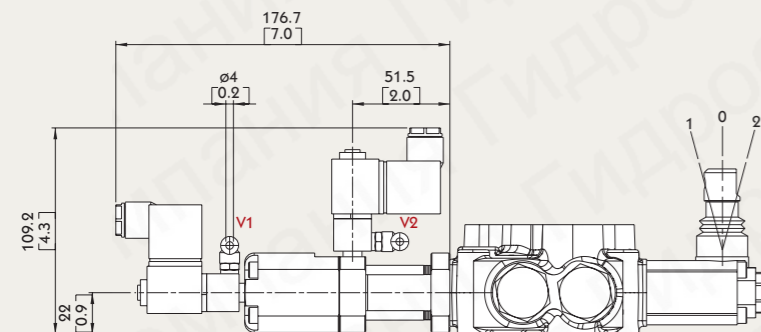


MB-4 B Side Monoblock Directional Control Valves

Type 8ED3

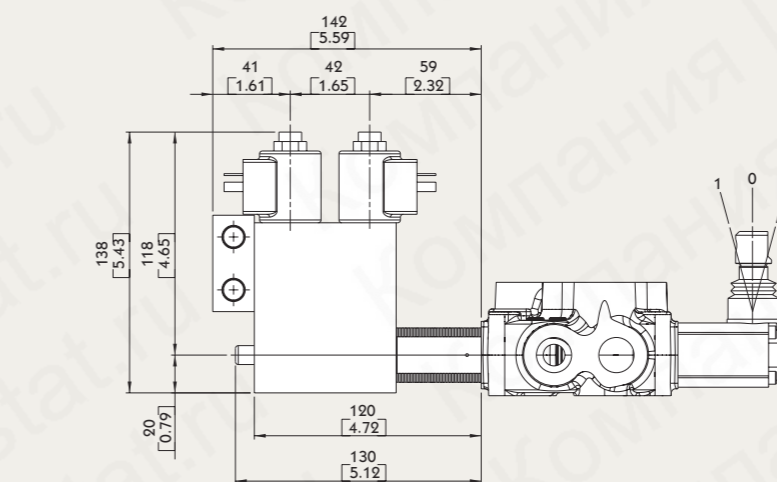
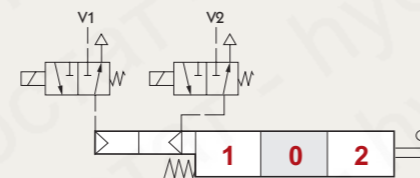


Type 8EP3



Solenoid operating features :

NOMINAL VOLTAGE: 24VDC
NOMINAL VOLTAGE TOLERANCE: $\pm 10\%$
POWER RATING: 5W

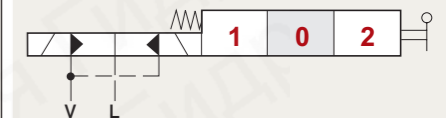


Operating features :

PILOT PRESSURE: • MIN. 10 BAR / 145 PSI
• MAX. 50 BAR / 725 PSI
MAX. BACKPRESSURE ON DRAIN L: 25 BAR / 360 PSI

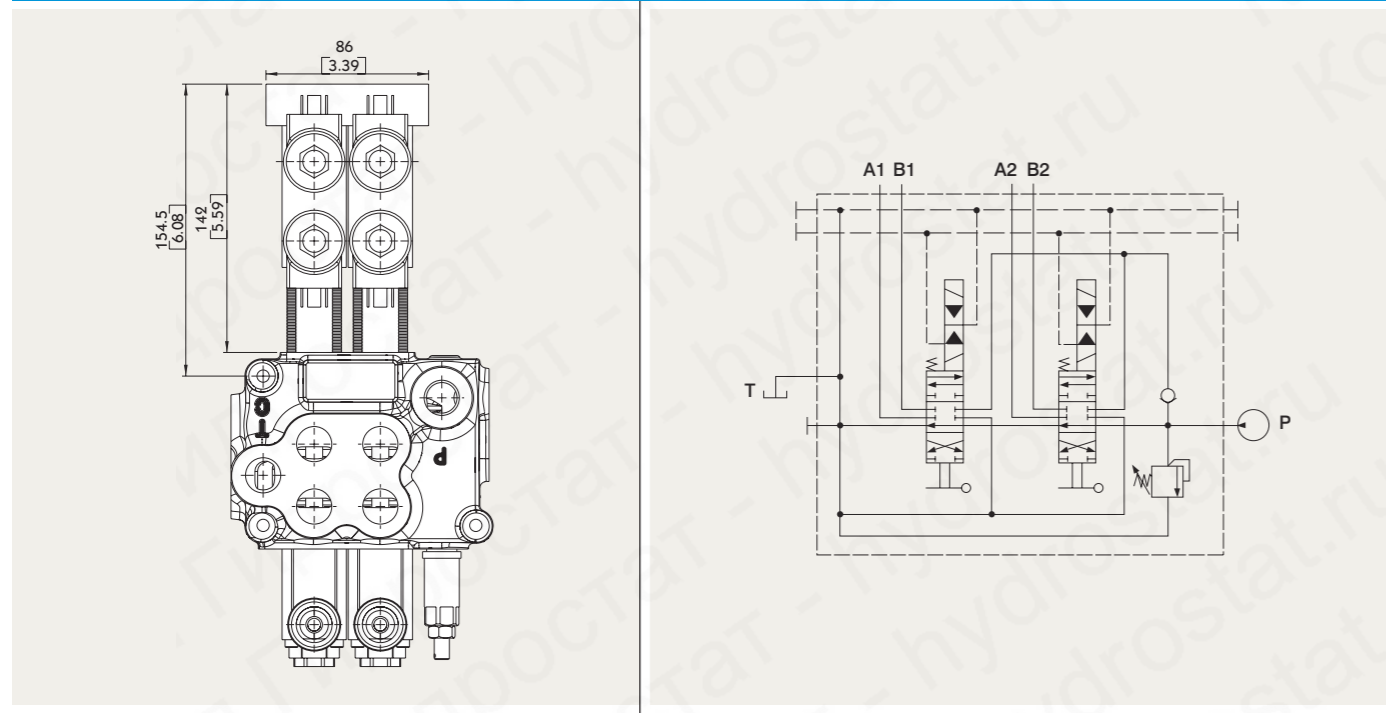
Coil features :

NOMINAL VOLTAGE TOLERANCE: $\pm 10\%$
ELECTRIC POWER: 21 W
STANDARD VOLTAGE: 12 VDC / 24 VDC



MB-4 B Side Monoblock Directional Control Valves

Type 8ER3



Operating features :

- PILOT PRESSURE: • MIN. 10 BAR / 145 PSI
- MAX. 50 BAR / 725 PSI
- MAX. BACKPRESSURE ON DRAIN L: 25 BAR / 360 PSI

Coil features :

- NOMINAL VOLTAGE TOLERANCE: $\pm 10\%$
- ELECTRIC POWER: 21 W
- STANDARD VOLTAGE: 12 VDC / 24 VDC

MB-4 B Side Monoblock Directional Control Valves

Type 8MG

MICROSWITCH
Operating features :

MECHANICAL LIFE: • 5X10⁶ OPERATIONS

ELECTRICAL LIFE (RESISTIVE LOAD):

- 10⁶ OPERATIONS - 7A / 13.5 VDC
- 5x10⁴ OPERATIONS - 10A / 12 VDC
- 5x10⁴ OPERATIONS - 3A / 28 VDC

	8MG1 Kit: MICROSWITCH WITH MALE/FEMALE CONNECTOR, OPERATED IN POS. 1
	8MG2 Kit: MICROSWITCH WITH MALE/FEMALE CONNECTOR, OPERATED IN POS. 2
	8MG3 Kit: MICROSWITCH WITH MALE/FEMALE CONNECTOR, OPERATED IN POS. 1 AND POS. 2

With NO contact (female connector with male end)

With NC contact (male connector with female end)

MB-4 B Side Monoblock Directional Control Valves

Type 8		
		8 Kit: SPRING RETURN TO NEUTRAL POSITION
		8-1 Kit: SPRING RETURN TO NEUTRAL POSITION. (2 POSITIONS)
		8-2 Kit: SPRING RETURN TO NEUTRAL POSITION. (2 POSITIONS)

Type 9		
		9-1 Kit: DETENT IN POS. 1, 2 WITH SPRING CENTERED
		9-2 Kit: DETENT IN POS. 2 WITH SPRING CENTERED
		9-3 Kit: DETENT IN POS. 1 WITH SPRING CENTERED

MB-4 B Side (Optional controls) Monoblock Directional Control Valves

Electric wiring example

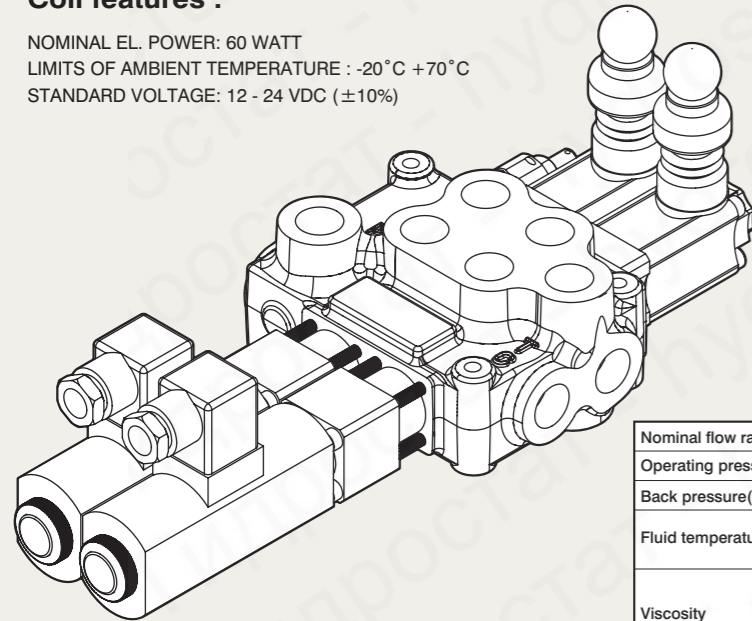
Coil features :
 NOMINAL VOLTAGE TOLERANCE: $\pm 10\%$
 ELECTRIC POWER: 36 W
 STANDARD VOLTAGE: 12 VDC / 24 VDC

Type 8ES		
		8ES1 Kit: ACTING IN 1
		8ES2 Kit: ACTING IN 2
		8ES3 Kit: ACTING IN 1 & 2

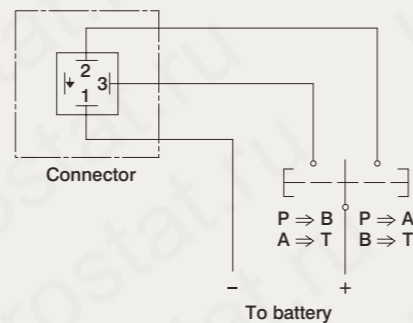
MB-4 B Side (Optional controls) Monoblock Directional Control Valves

Coil features :

NOMINAL EL. POWER: 60 WATT
LIMITS OF AMBIENT TEMPERATURE : -20°C +70°C
STANDARD VOLTAGE: 12 - 24 VDC (±10%)



Electric wiring example



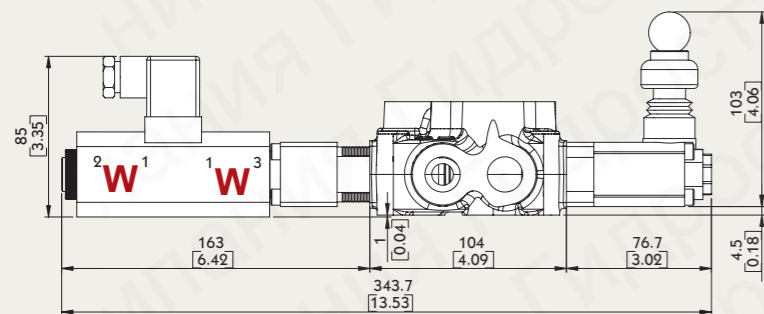
Nominal flow rating		60 L/min	16 US gpm
Operating pressure (Max.)	parallel circuit	250 bar	3600 psi
Back pressure(Max.)	on outlet port T	25 bar	360 psi
Fluid temperature	with NBR seals	-20°C ~ 80°C	-4°F ~ 176°F
	with FPM seals	-20°C ~ 100°C	-4°F ~ 212°F
Viscosity	operating range	15mm ² /s ~ 75mm ² /s	15 ~ 75 cst
	Max.	400mm ² /s	400 cst
	Min.	12mm ² /s	12 cst
Ambient temperature		-40°C ~ 60°C	-40°F ~ 140°F

MB-4 Special spool (Options for 8ES Kit) Monoblock Directional Control Valves

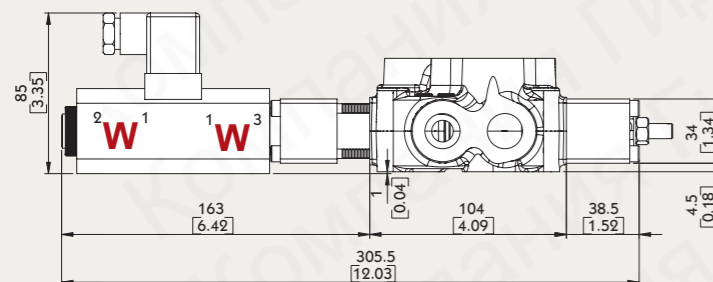
Type 8ES3#1

	<p>P → B A → T C closed</p>	
	<p>P & T & A & B closed C open</p>	
	<p>P → A B → T C closed</p>	

Type 8ESN



8ESNLES Kit:



8ESNCAE Kit:



Type 8ES3#2

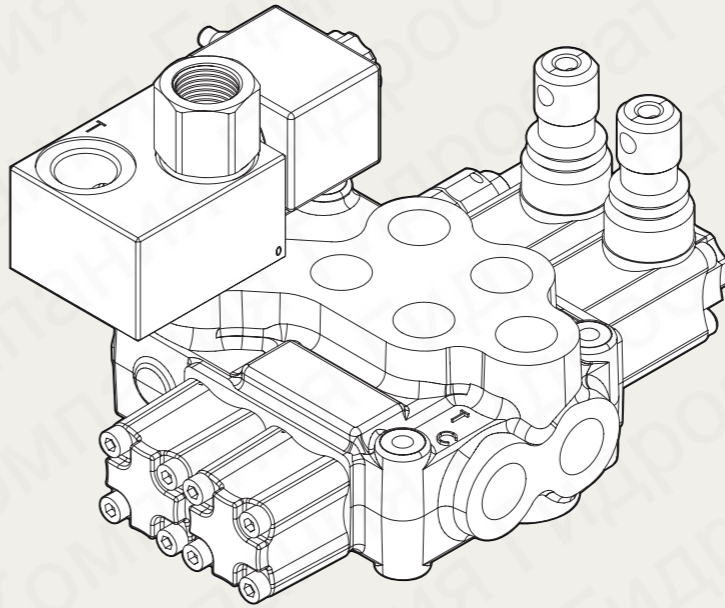
	<p>P → B A → T C closed</p>	
	<p>A & B → T P closed C open</p>	
	<p>P → A B → T C closed</p>	

MB-4 Special spool (Options for 8ESN Kit) Monoblock Directional Control Valves

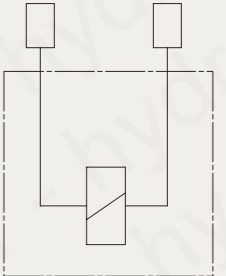
Type 8ESN#1		
	<p>P → B</p> <p>A → T</p> <p>C closed</p>	
	<p>P & T & A & B closed</p> <p>C open</p>	
	<p>P → A</p> <p>B → T</p> <p>C closed</p>	

Type 8ESN#2		
	<p>P → B</p> <p>A → T</p> <p>C closed</p>	
	<p>A & B → T</p> <p>P closed</p> <p>C open</p>	
	<p>P → A</p> <p>B → T</p> <p>C closed</p>	

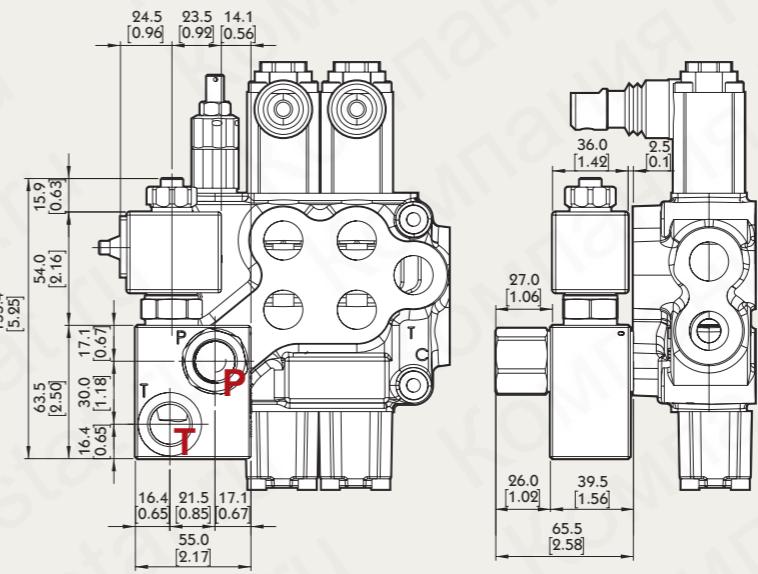
MB-4 (Option - Dump valve (Emergency stop valve)) Monoblock Directional Control Valves



Electric wiring example



Coil features :
 NOMINAL VOLTAGE TOLERANCE : ±10%
 ELECTRIC POWER : 20W
 STANDARD VOLTAGE : 12VDC / 24VDC



P & T : G1/2

TYPE :
 DUMP-G04-24VDC(NO)
 DUMP-G04-12VDC(NO)

CODE :
 YLMB45424
 YLMB45412

TYPE :
 DUMP-G04-24VDC(NC)
 DUMP-G04-12VDC(NC)

CODE :
 YLMB45424
 YLMB45412

MB-4 Outlet

Monoblock Directional Control Valves

Power Beyond Conversion plug
(Closed center plug)

